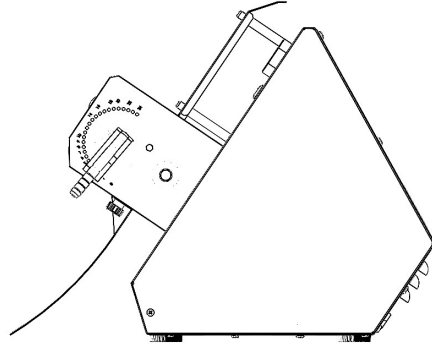
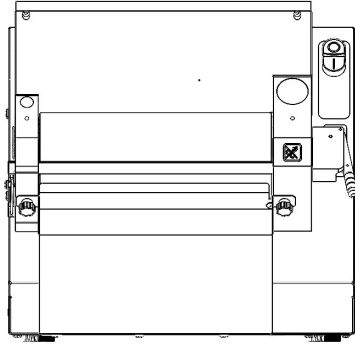
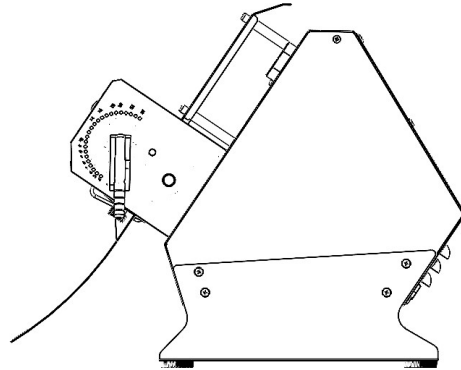
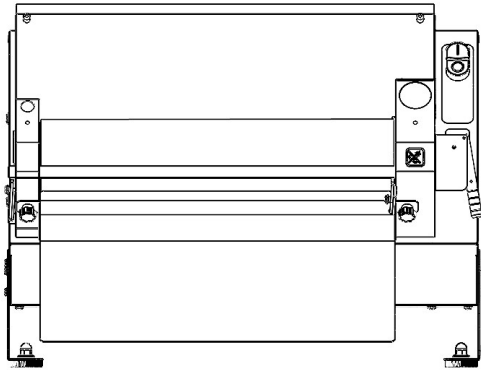


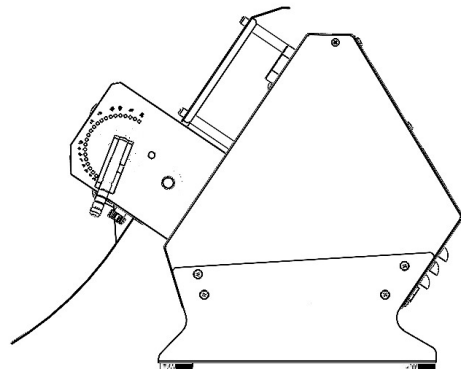
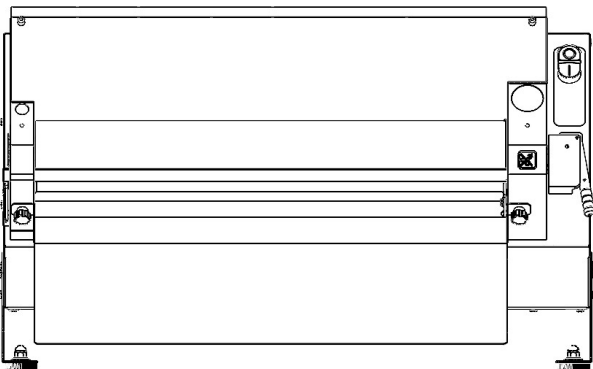
SINGLE PLUS DOUGH SHEETERS



SM-300 SINGLE NA



SM-450 SINGLE NA



SM-600 SINGLE NA



Intertek



Features

- 2.75" diameter rollers for dough handling.
- The roller gap can be adjusted up to 0.39".
- Perfect for fondant, pizza, pita, and tortilla dough.
- Single plus dough sheeters can roll up to 600 pieces of fondant dough per hour regarding their weight and thickness.
- The machines are produced in accordance with the standards of various countries, especially America and Europe.
- Our dough sheeters, thanks to their dimensions and removable parts, are so easy to set, use, and clean.
- They work silently and vibration-free.
- Fully stainless body and other machine elements pursuant to food norms.

Technical Specifications

Model	SM-300 SINGLE NA	SM-450 SINGLE NA	SM-600 SINGLE NA
Roller Size	11.41"	17.72"	23.62"
Unit Dimensions			
Width	17.48"	23.54"	29.45"
Depth	21.45"	22.58"	22.58"
Height	17.13"	18.03"	18.03"
Unit Weight	74.96 lbs	88.19 lbs	101.41 lbs
Shipping Dimensions			
Width	26.38"	25.59"	32.28"
Depth	17.32"	21.65"	21.65"
Height	17.32"	19.69"	19.69"
Shipping Weight	88.19 lbs	103.62 lbs	125.22 lbs

Electrical Requirements	Voltage	Phase	Frequency	Total Power	Amps
Single Plus Dough Sheeters	110/120 VAC	1 Phase	60 Hz	1/2 HP	6,8A